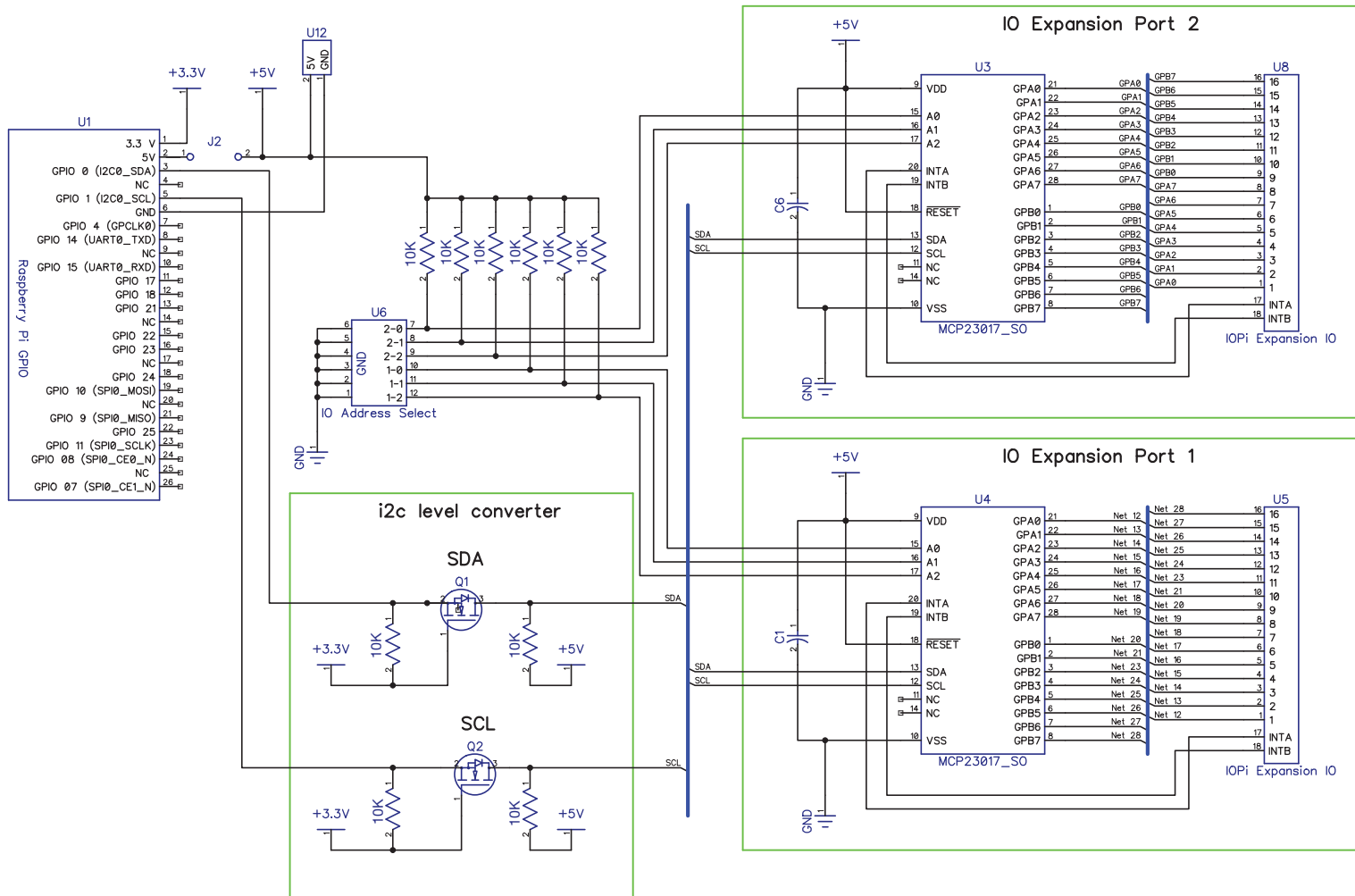


# IO Pi



RefDes	Value	Type
C1	100nF	CAP
C6	100nF	CAP
J2		JUMPER
Q1	BSN20	
Q2	BSN20	
R1	10K	RES
R2	10K	RES
R3	10K	RES
R4	10K	RES
R5	10K	RES
R6	10K	RES
R7	10K	RES
R8	10K	RES
R9	10K	RES
R10	10K	RES
U1		Raspberry Pi GPIO
U3		MCP23017_SO
U4		MCP23017_SO
U5		IOPi Expansion IO
U6		IO Address Select
U8		IOPi Expansion IO
U12		5V Power